

PARTS LIST

| Item No | Type | Part No | Description | Qty | Unit |
|---------|------|----------|-------------------------------|-----|------|
| 001 | | 266690-1 | HEX. BOLT M8X25 | 1 | PC. |
| 002 | | 224604-6 | OUTER FLANGE 46 | 1 | PC. |
| 003 | | 224605-4 | INNER FLANGE 46 | 1 | PC. |
| 004 | | 922233-6 | H.S.H.BOLT M5X20 WITH WR | 3 | PC. |
| 005 | 1 | 162742-5 | WHEEL COVER 230 | 1 | PC. |
| 005 | 2 | 162964-7 | WHEEL COVER 230 | 1 | PC. |
| 006 | | 213162-7 | O RING 14 | 1 | PC. |
| 007 | | 327532-5 | SPINDLE | 1 | PC. |
| 008 | | 211232-6 | BALL BEARING 6002LLU | 1 | PC. |
| 009 | | 962151-6 | RETAINING RING R-32 | 1 | PC. |
| 010 | | 257491-8 | SLEEVE 15 | 1 | PC. |
| 011 | 1 | 451485-7 | * PIN CAP | 1 | PC. |
| 011 | 2 | 137186-8 | * PIN CAP | 1 | PC. |
| 012 | | 233089-5 | COMPRESSION SPRING 12 | 1 | PC. |
| 013 | | 256947-8 | * SHOULDER PIN 7 - Removed | 1 | PC. |
| 014 | | 961012-7 | STOP RING E-6 | 1 | PC. |
| 015 | | 265880-3 | H.S.SET SCREW(CONE POINT)M5X8 | 1 | PC. |
| 016 | 1 | 136250-2 | * CUTTING DEVICE ASSY | 1 | PC. |
| 016 | 1 | INC. | * Item No. 11-15 | | |
| 016 | 2 | 136761-7 | * CUTTING DEVICE ASSY | 1 | PC. |
| 016 | 2 | INC. | * Item No. 11-15 | | |
| 017 | | 922333-2 | HEX.SOCKET HD BOLT M6X20 | 1 | PC. |
| 018 | | 211232-6 | BALL BEARING 6002LLU | 1 | PC. |
| 019 | | 222197-7 | V PULLEY 7-34.6 | 1 | PC. |
| 020 | | 931402-8 | HEX. NUT M8 | 1 | PC. |
| 021 | | 222198-5 | V PULLEY 7-20.5 | 1 | PC. |
| 022 | | 253762-1 | FLAT WASHER 8 | 2 | PC. |
| 023 | | 225104-9 | V BELT 7-454 | 1 | PC. |
| 024 | | 140U35-6 | BELT COVER COMPLETE | 1 | PC. |
| 024 | INC. | 265B09-3 | H.S. HEAD BOLT M5X30 WITH WR | 3 | PC. |
| 025 | | 252154-1 | HEX. NUT M8-13 | 1 | PC. |
| 026 | | 856Y91-7 | DCE090 NAME PLATE | 1 | PC. |
| 027 | | 856Y97-5 | DCE090 SERIAL NO. LABEL | 1 | PC. |
| 028 | | 273025-9 | FRONT GRIP 26 | 1 | PC. |
| 029 | | 922333-2 | HEX.SOCKET HD BOLT M6X20 | 1 | PC. |
| 030 | | 136218-8 | BATTERY UPPER ASSY | 1 | PC. |
| 030 | INC. | | Item No. 31,32 | | |
| 031 | | 412348-2 | BATTERY COVER HOOK | 1 | PC. |

| Item No | Type | Part No | Description | Qty | Unit |
|---------|------|----------|--------------------------|-----|------|
| 032 | | 231240-1 | COMPRESSION SPRING 7 | 1 | PC. |
| 033 | | 266326-2 | TAPPING SCREW 4X18 | 3 | PC. |
| 034 | | 412344-0 | BATTERY LOWER COVER L | 1 | PC. |
| 035 | | 347659-5 | GUIDE PLATE | 1 | PC. |
| 036 | | 922333-2 | HEX.SOCKET HD BOLT M6X20 | 2 | PC. |
| 037 | | 422566-4 | BATTERY COVER SEAL | 1 | PC. |
| 038 | | 256948-6 | ROD 4 | 1 | PC. |
| 039 | | 232594-9 | TORSION SPRING 5 | 1 | PC. |
| 040 | | 961017-7 | STOP RING E-3 | 1 | PC. |
| 041 | | 412346-6 | BATTERY LOWER COVER R | 1 | PC. |
| 042 | | 266326-2 | TAPPING SCREW 4X18 | 3 | PC. |
| 043 | | 922358-6 | H.S.H.BOLT M6X35 WITH WR | 4 | PC. |
| 044 | | 412277-9 | MOTOR HOUSING | 1 | PC. |
| 045 | | 266490-9 | TAPPING SCREW PT 2X6 | 3 | PC. |
| 046 | | 687B69-9 | STOPPER | 1 | PC. |
| 047 | | 620C87-0 | CONTROLLER B | 1 | PC. |
| 048 | | 652031-1 | PAN HEAD SCREW M3X6 | 3 | PC. |
| 049 | | 632P83-4 | LEAD UNIT | 1 | PC. |
| 050 | | 629492-0 | STATOR | 1 | PC. |
| 051 | | 459144-7 | BAFFLE PLATE | 1 | PC. |
| 052 | | 266326-2 | TAPPING SCREW 4X18 | 2 | PC. |
| 053 | | 210059-1 | BALL BEARING 6000DDW | 1 | PC. |
| 054 | | 519629-6 | ROTOR ASSY | 1 | PC. |
| 054 | INC. | | Item No. 53,55,56 | | |
| 055 | | 253759-0 | FLAT WASHER 12 | 1 | PC. |
| 056 | | 211137-0 | BALL BEARING 6201LLU | 1 | PC. |
| 057 | | 266326-2 | TAPPING SCREW 4X18 | 4 | PC. |
| 058 | | 183E46-2 | TERMINAL BOX SET | 1 | SET |
| 059 | | 643874-2 | TERMINAL | 1 | PC. |
| 060 | | 643874-2 | TERMINAL | 1 | PC. |
| 062 | | 266326-2 | TAPPING SCREW 4X18 | 2 | PC. |
| 063 | | 911118-1 | PAN HEAD SCREW M4X12 | 1 | PC. |
| 064 | | 232267-4 | LEAF SPRING | 1 | PC. |
| 065 | | 412347-4 | LENS | 1 | PC. |
| 066 | | 252173-7 | SQUARE NUT | 1 | PC. |
| 067 | | 620C88-8 | LED CIRCUIT | 1 | PC. |
| 068 | | 136253-6 | HOUSING ASSY | 1 | PC. |
| 068 | INC. | 8013C2-6 | CAUTION LABEL | 1 | PC. |
| 068 | INC. | | Item No. 63-66,79 | | |

| Item No | Type | Part No | Description | Qty | Unit |
|---------|------|-------------|----------------------------------|-----|------|
| 069 | | 140F08-9 | LED CIRCUIT COMPLETE | 1 | PC. |
| 069 | INC. | 818A73-3 | INDICATION LABEL | 1 | PC. |
| 070 | | 266326-2 | TAPPING SCREW 4X18 | 8 | PC. |
| 071 | | 140U77-0 | SWITCH CIRCUIT COMPLETE | 1 | PC. |
| 071 | INC. | 8013T3-3 | SWITCH LABEL | 1 | PC. |
| 072 | 2 | 232699-5 | COMPRESSION SPRING 3 | 1 | PC. |
| 073 | 2 | 413687-3 | LOCK OFF BUTTON | 1 | PC. |
| 074 | 2 | 233064-1 | COMPRESSION SPRING 4 | 1 | PC. |
| 075 | | 620C86-2 | CONTROLLER | 1 | PC. |
| 076 | 2 | 413615-8 | SWITCH LEVER | 1 | PC. |
| 077 | | 651083-9 | SWITCH C3XA-1PSPM | 1 | PC. |
| 079 | | 232267-4 | LEAF SPRING | 1 | PC. |
| 080 | | 266326-2 | TAPPING SCREW 4X18 | 1 | PC. |
| 081 | | 424623-4 | GROMMET | 1 | PC. |
| 082 | 1 | 265B45-9 | * HEX. BOLT M8X27 | 1 | PC. |
| 082 | 2 | 265C69-1 | * HEX. BOLT M8X29 | 1 | PC. |
| 083 | | 127491-1 | HOSE ASSEMBLY | 1 | PC. |
| A01 | | 123120-4 | COUPLING SLEEVE | 1 | PC. |
| A02 | | 941 716 131 | WRENCH 13-16 | 1 | PC. |
| A03 | | 783202-0 | HEX. WRENCH 4 | 1 | PC. |
| A04 | | E-03012 | 9" THIN CUT-OFF WHEEL WA36R 7/8" | 1 | PC. |
| A05 | | E-02973 | 9" DIAMOND WHEEL SEGMENT 7/8" | 1 | PC. |
| A06 | | B-56982 | 9" DIAMOND WHEEL RESCUE 7/8" | 1 | PC. |
| A07 | | ---- | BATTERY CHARGER | | |
| A08 | | ---- | 18V LI-ION BATTERY | | |

SERVICE CHANGES

1. Changes on Cutting Device Assy and Hex Bolt M8x27

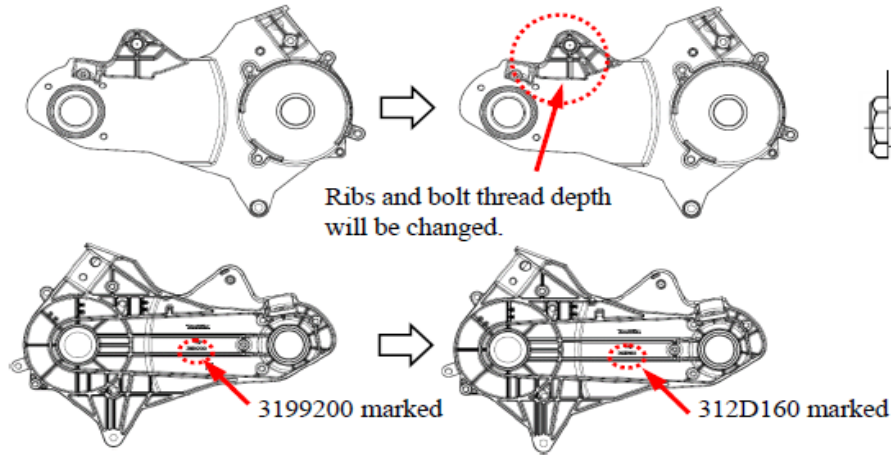
(T/I#DF331)

| Item No. | Description | Type 1 | Type 2 |
|----------|---------------------|----------|----------|
| 16 | CUTTING DEVICE ASSY | 136250-2 | 136761-7 |
| 82 | HEX BOLT M8X39 | 265B45-9 | 265C69-1 |

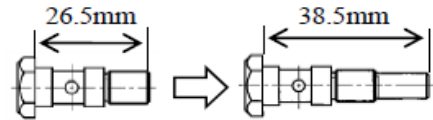
Above parts are completely interchangeable as a set.

Detailed information

[1] Cutting device assy



[2] Hex bolt M8x27 → Hex bolt M8x39



2. Changes on Pin Cap

(T/I#Y09449)

| Item No. | Description | Type 1 | Type 2 |
|----------|------------------|----------|----------|
| 11 | PIN CAP | 451485-7 | ----- |
| | PIN CAP ASSEMBLY | ----- | 137186-8 |
| 13 | SHOULDER PIN 7 | 256947-8 | ----- |

Above parts are completely interchangeable as a set.